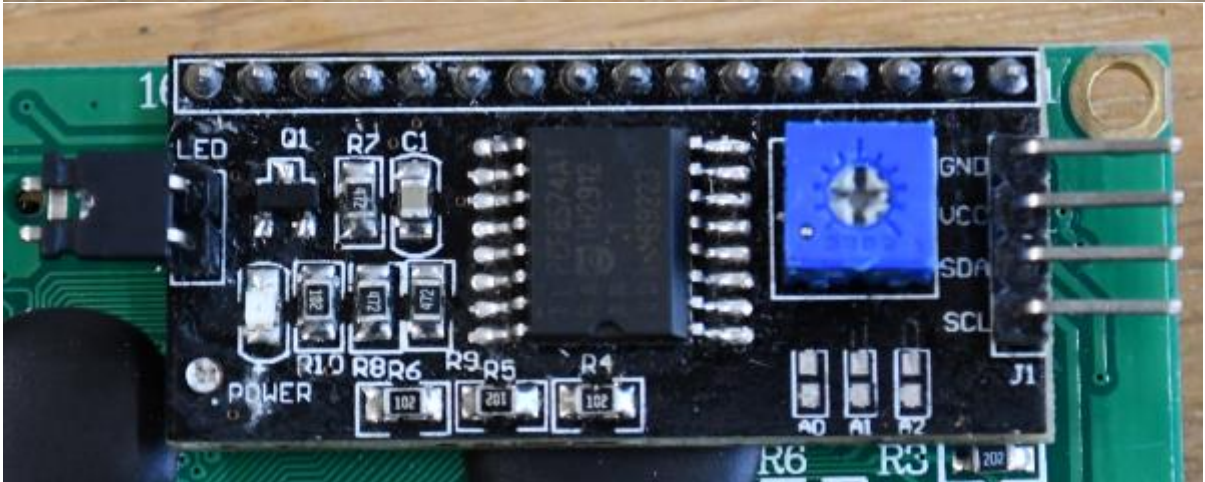




ELEKTRONICA
VOOR JOU

I2C Serial Interface 1602 LCD Module





Description

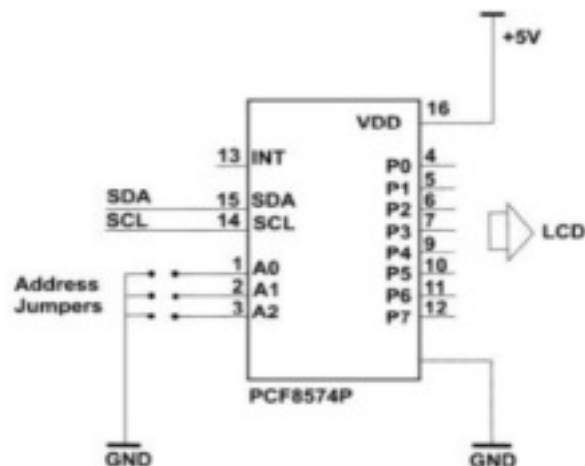
This LCD2004 is a great I2C interface for 2x16 and 4x20 LCD displays. With the limited pin resources, your project may be out of resources using normal LCD shield. With this I2C interface LCD module, you only need 2 lines (I2C) to display the Discription: information. If you already has I2C devices in your project, this LCD module actually cost no more resources at all. Fantastic for Arduino based projects.

Data:

- Compatible with Arduino Board or other controller board with I2C bus.
- Display Type: Negative white on Blue backlight.
- I2C Address: 0x38-0x3F (0x3F default)
- Supply voltage: 5V
- Interface: I2C to 4bits LCD data and control lines.
- Contrast Adjustment: built-in Potentiometer.
- Backlight Control: Firmware or jumper wire.
- Board Size: 80x36 mm.

INPUTS			I2C SLAVE ADDRESS
A2	A1	A0	
L	L	L	0x20
L	L	H	0x21
L	H	L	0x22
L	H	H	0x23
H	L	L	0x24
H	L	H	0x25
H	H	L	0x26
H	H	H	0x27

H = Open Jumper L = Close Jumper



Extra info:

If you wan't to use the this display you need to download the LiquidCrystal_I2C Library first.